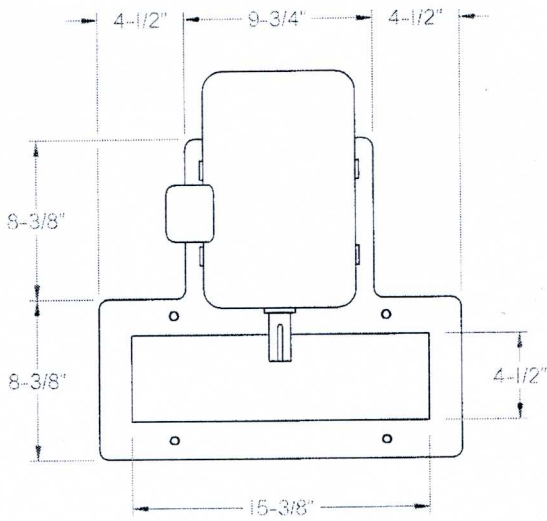


DWG NO

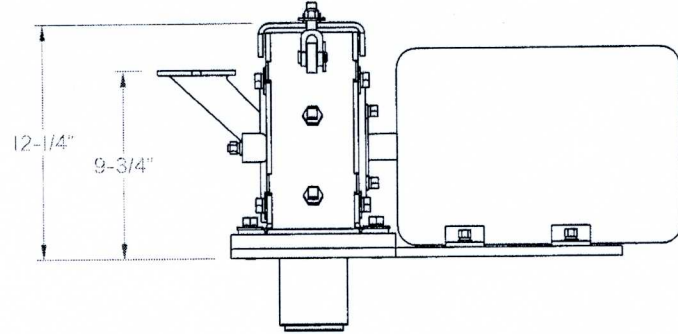
REVISION HISTORY

1 OF 1

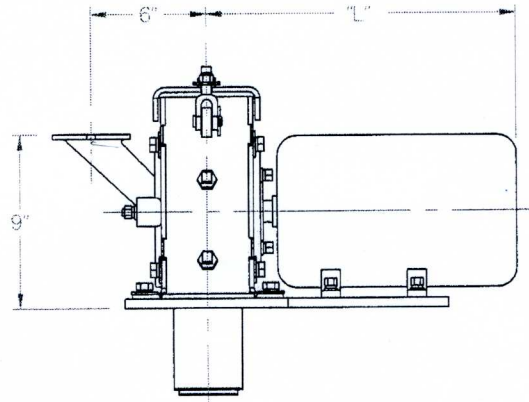
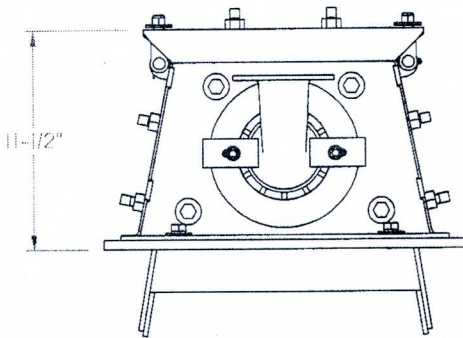
REV	SYM	WAS	NOW	DATE
-----	-----	-----	-----	------



7.5 and 10 HP Versions



3 and 5 HP Versions



MOTOR HP	LBS OF SHOT PER MINUTE	B.W. SIZE	MOTOR TYPE	"L"
3		10 INCH	182T	18"
5	160	10 INCH	184T	18"
7.5		10 INCH	213T	20"
10		10 INCH	215T	21"

THIS DRAWING & DESIGN THEREIN IS THE PROPERTY OF COYOTE ENTERPRISES, INC. USE & COPIES THEREOF CANNOT BE MADE WITHOUT WRITTEN CONSENT.

 **Coyote Enterprises, Inc.**

TITLE 9/10 Blast Wheel

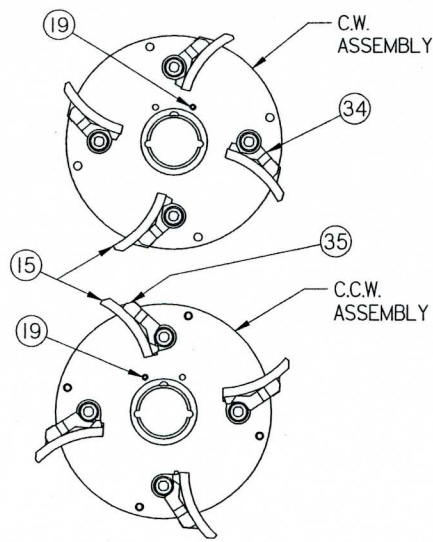
DRAWN BY	DATE	APPROVED	REV	SIZE	SCALE
OSummers	8/4/2011			A	N/A

MATERIAL :

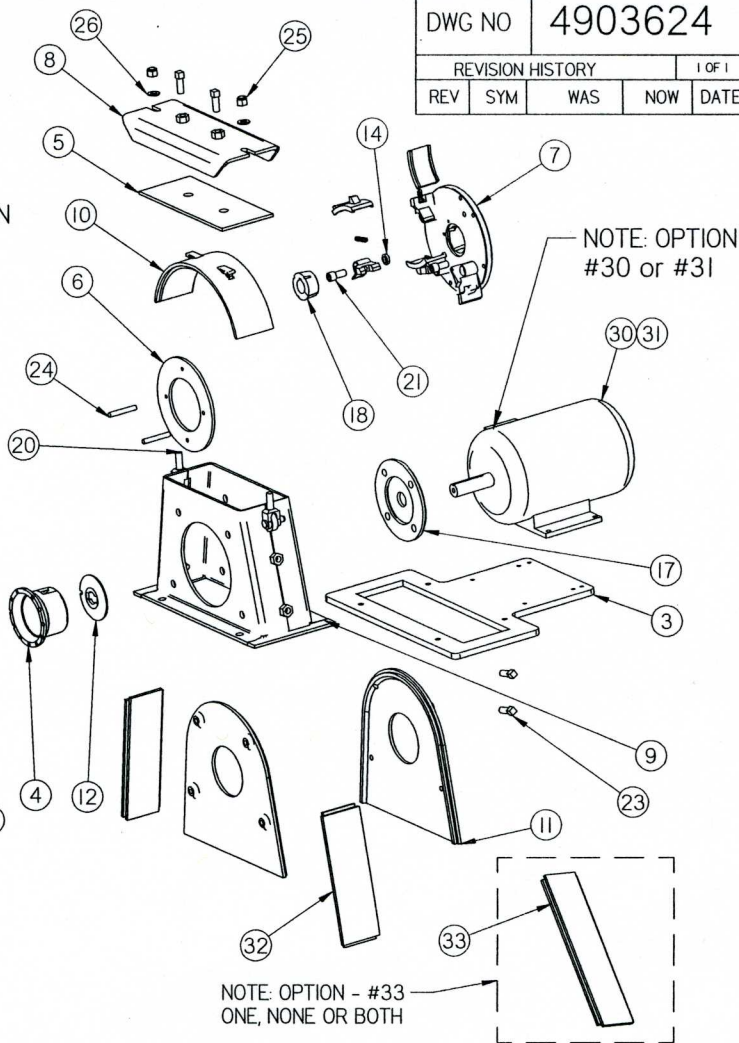
UNLESS OTHERWISE SPECIFIED DIMENSIONS ARE IN INCHES ANGLES ± 1° 2 PL. ±X01 3 PL. ±X001

DWG NO 4903624

REVISION HISTORY					1 OF 1
REV	SYM	WAS	NOW	DATE	



NOTE: OPTION #34 or #35



NOTE: OPTION - #33 ONE, NONE OR BOTH

NOTE: OPTION #28 or #29

itm	Doc Num	Title	Qty
1	3060105	Seal - Spout	1
2	4010750	Clamp - Feed Spout	2
3	4043525	Base - Blast Wheel	1
4	C000145	Cage - 40deg	1
5	C0003688	Lid Liner	1
6	C0003703	Retainer-Cage-Inner	1
7	C0009383	Wheel-Hub	1
8	C0103572	Lid - B.W. Housing	1
9	C0103624	Housing-Blast Wheel 9/10	1
10	C5000109	Liner-Top	1
11	C5000111	Liner - Side	2
12	C5000147	Centering Plate	1
13	C5000158	Impeller 9/10	1
14	C5000294	Shear Ring	4
15	C5100106-4	Blade - Set	4
16	C5102624	Cage-Adapter-Outer	1
17	C5103576	Seal-Rear Hub	1
18	C6000468	Bushing T/L 1615 x 1-1/8 Bore	1
19	C6000531	Roll Pin 1/4" x 3/4"	1
20	C6101159	Clevis-Yoke End	2
21	C7003910	Bolt - Block	4

itm	Doc Num	Title	Qty
22	C7003914	Bolt - Impeller	1
23	C7004712	Screw 1/2-13 X 1-1/4 Sq Set	6
24	C7009523	Stud-Support 3/8 x 2.5"	2
25	HARDWARE	1/2" NYLOCK NUT	2
26	HARDWARE	1/2" FLAT WASHER	2
27	HARDWARE	1/2" LOCK WASHER	1
28	C5000108	Spout-Feed	1
29	3050107	Spout - Feed - 90 deg	1
30	C8101033	Motor 3hp - Blast Wheel	1
31	C8101040	Motor 5hp - Blast Wheel	1
32	C5000110	Liner - End	1
33	C5000122	Liner - End / Long	1
34	C5100104-4R	Block C.W. - Set	4
35	C5101261-4L	Block C.C.W. - Set	4

 **Coyote Enterprises, Inc.**
TITLE Parts List - Blast Wheel 9/10 BW

DRAWN BY	DATE	APPROVED	REV	SIZE	SCALE
TZERBEY	3/20/2007			A	

UNLESS OTHERWISE SPECIFIED DIMENSIONS ARE IN INCHES ANGLES * 1" 2 PL *X01 3 PL *X001

THIS DRAWING & DESIGN THEREIN IS THE PROPERTY OF COYOTE ENTERPRISES, INC. USE & COPIES THEREOF CANNOT BE MADE WITHOUT WRITTEN CONSENT.