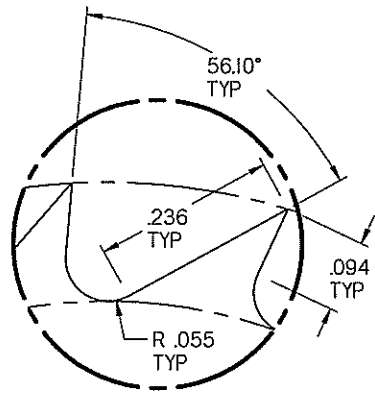
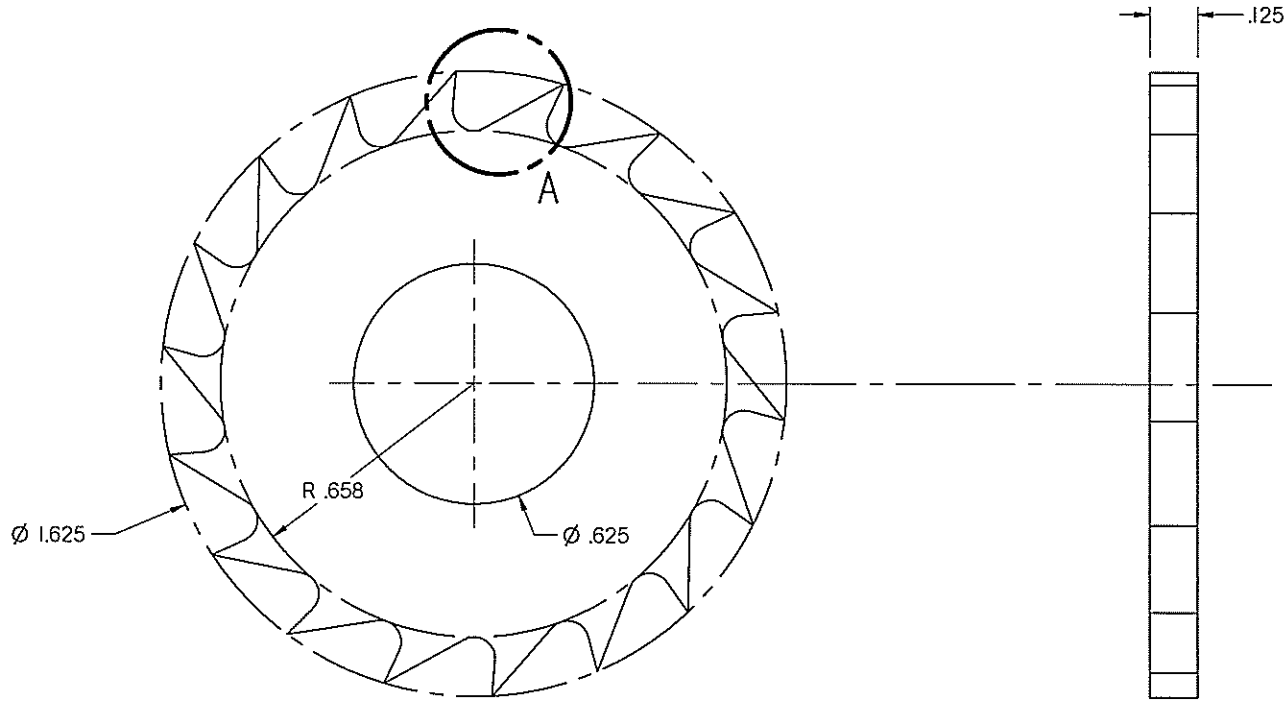



REVISION HISTORY				1 OF 1
REV	SYM	WAS	NOW	DATE



TIP DETAIL A

OIL QUENCH & TEMPER / 54-58 RC
 NOTE: TOOTH POINTS SPACED @ 20° APART - 18 TEETH

THIS DRAWING & DESIGN THEREIN IS THE PROPERTY OF COYOTE ENTERPRISES, INC
 USE & COPIES THEREOF CANNOT BE MADE WITHOUT WRITTEN CONSENT.

 Coyote Enterprises, Inc.						DWG NO 3050114
TITLE Chipper Cutter 1.625x.625						
DRAWN BY QSummers	DATE 10/22/12	APPROVED	REV	SIZE A	SCALE 2:1	
MATERIAL: CRS - 1050						
<small>UNLESS OTHERWISE SPECIFIED DIMENSIONS ARE IN INCHES ANGLES ± 1° 2 PL. #X01 3 PL. #X001</small>						