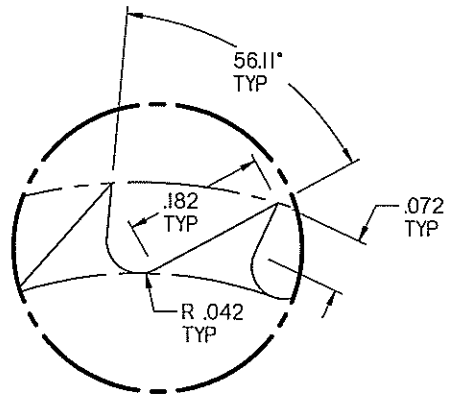
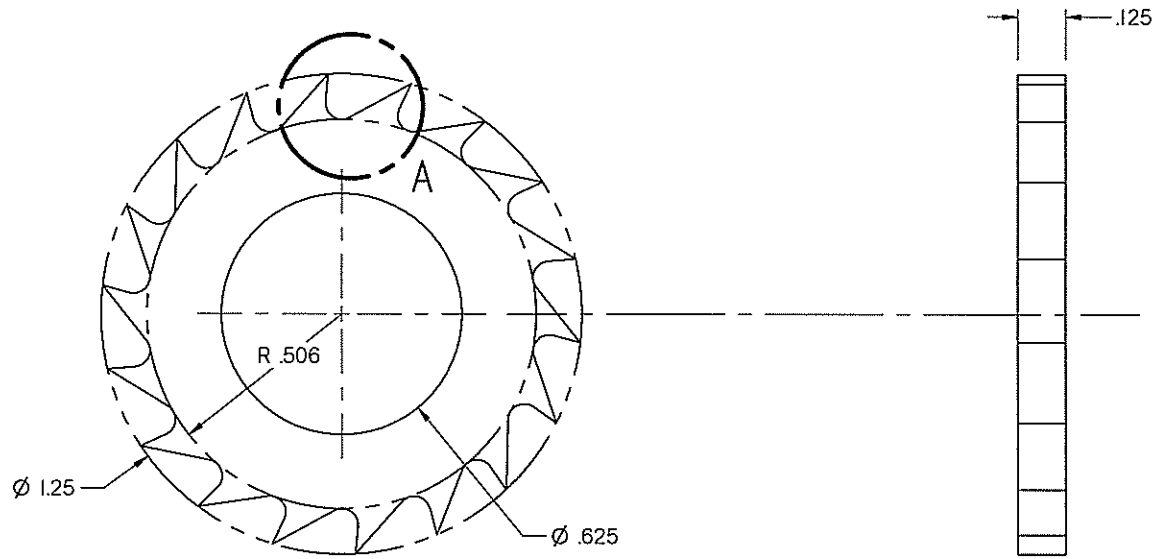



REVISION HISTORY				1 OF 1
REV	SYM	WAS	NOW	DATE



TIP DETAIL A

OIL QUENCH & TEMPER / 54-58 RC  
 NOTE: TOOTH POINTS SPACED @ 20° APART - 18 TEETH

THIS DRAWING & DESIGN THEREIN IS THE PROPERTY OF COYOTE ENTERPRISES, INC  
 USE & COPIES THEREOF CANNOT BE MADE WITHOUT WRITTEN CONSENT.

 <b>Coyote Enterprises, Inc.</b>					
TITLE Chipper Cutter 1.25x1.25x.625					
DRAWN BY	DATE	APPROVED	REV	SIZE	SCALE
QSummers	10/22/12			A	2:1
MATERIAL: CRS - 1050					
UNLESS OTHERWISE SPECIFIED DIMENSIONS ARE IN INCHES ANGLES ± 1° 2 PL ±X01 3 PL ±X001					

3050115

DWG NO